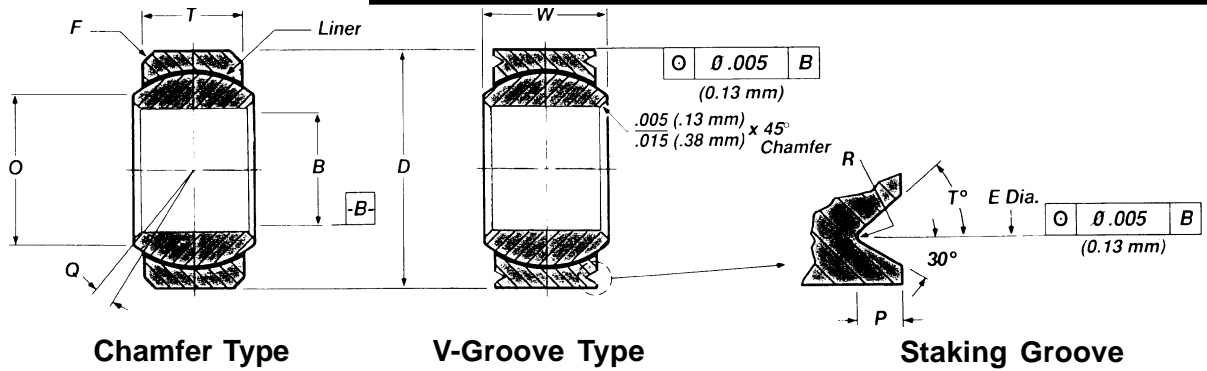


AEROSPACE SPHERICAL BEARINGS



Part Number Prefix		(B) Bore Diam	(D) Outside Diam	(W) Ball Width	(T) Race Width	Ball Diam	(F) Race Chamf'd x 45°	(Q) Mis-alignment	(E) Pitch Diam	(P)	(R)	(T)	Limit Static Radial Load	Limit Static Axial Load	Dynamic Osc. Radial Load
Chamfered	V-Grooved	Inch +.000 -.001	Inch +.0000 -.0005	Inch +.000 -.002	Inch ±.005	Inch Ref.	Inch +.0000 -.0010	Min.	Inch +.000 -.010	Inch +.000 -.015	Inch		Lbs.	Lbs.	Lbs.
MS 14104 MS 14101		NARROW													
ADB 4 (L)	ADB 4V (L)	0.25	0.656	0.343	0.25	0.5	0.02	10°	0.596	0.03	.005 to .01	20° min	6,040	430	3,320
ADB 5 (L)	ADB 5V (L)	0.312	0.75	0.375	0.281	0.562	0.02	10°	0.652	0.04	.005 to .01	30°	8,750	700	5,460
ADB 6 (L)	ADB 6V (L)	0.375	0.812	0.406	0.312	0.656	0.03	9°	0.714	0.04	.01 to .02	30°	10,540	1,100	6,600
ADB 7 (L)	ADB 7V (L)	0.437	0.906	0.437	0.343	0.718	0.03	8°	0.808	0.04	.01 to .02	30°	13,200	1,400	8,050
ADB 8 (L)	ADB 8V (L)	0.50	1.00	0.50	0.39	0.813	0.03	8°	0.878	0.06	.01 to .02	30°	17,900	2,100	10,400
ADB 9 (L)	ADB 9V (L)	0.562	1.093	0.562	0.437	0.875	0.03	8°	0.972	0.06	.01 to .02	30°	23,200	3,680	13,000
ADB 10 (L)	ADB 10V (L)	0.625	1.187	0.625	0.50	0.968	0.03	8°	1.065	0.06	.01 to .02	30°	30,500	4,720	16,450
ADB 12 (L)	ADB 12V (L)	0.75	1.437	0.75	0.593	1.187	0.04	8°	1.315	0.06	.01 to .02	30°	46,400	6,750	23,600
ADB 14 (L)	ADB 14V (L)	0.875	1.562	0.875	0.703	1.312	0.04	8°	1.44	0.06	.01 to .02	30°	62,200	9,350	30,250
ADB 16 (L)	ADB 16V (L)	1.00	1.75	1.00	0.797	1.50	0.04	9°	1.628	0.06	.01 to .02	30°	82,200	12,160	38,000
MS 14102 MS 14103		WIDE													
ADW 4 (L)	ADW 4V (L)	0.25	0.625	0.437	0.327	0.531	0.025	15°	0.565	0.03	.005 to .01	20° min	5,500	1,770	4,900
ADW 5 (L)	ADW 5V (L)	0.312	0.687	0.437	0.317	0.593	0.025	14°	0.627	0.03	.005 to .015	30°	9,400	1,640	6,050
ADW 6 (L)	ADW 6V (L)	0.375	0.812	0.50	0.406	0.687	0.03	8°	0.714	0.04	.01 to .02	30°	13,700	2,630	8,310
ADW 7 (L)	ADW 7V (L)	0.437	0.937	0.562	0.442	0.781	0.03	10°	0.839	0.04	.01 to .02	30°	20,700	3,650	11,750
ADW 8 (L)	ADW 8V (L)	0.50	1.00	0.625	0.505	0.875	0.03	9°	0.902	0.04	.01 to .02	30°	21,400	4,970	14,950
ADW 9 (L)	ADW 9V (L)	0.562	1.125	0.687	0.536	1.00	0.03	10°	1.027	0.04	.01 to .02	30°	26,600	5,370	18,100
ADW 10 (L)	ADW 10V (L)	0.625	1.187	0.75	0.567	1.062	0.03	12°	1.089	0.04	.01 to .02	30°	29,000	6,130	20,250
ADW 12 (L)	ADW 12V (L)	0.75	1.375	0.875	0.63	1.25	0.04	13°	1.253	0.06	.01 to .02	30°	37,000	7,730	26,200
ADW 14 (L)	ADW 14V (L)	0.875	1.625	0.875	0.755	1.375	0.04	6°	1.503	0.06	.01 to .02	30°	65,200	10,800	33,600
ADW 16 (L)	ADW 16V (L)	1.00	2.125	1.375	1.005	1.875	0.04	12°	2.003	0.06	.01 to .02	30°	104,000	19,300	56,250